

Onboard Preamp

GE-5T

The GE5T is a little big designed preamp for acoustic and classical guitars. 4-band Equalizers and rotary volume controller is amazingly effective, flexible and intuitive to use. It also has quick and accurate built-in tuner with easy to read backlight display. You can easily mount the preamp simply by tightening the clamp fastener of screws after routing upper body side.

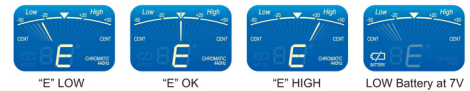


FEATURES:

- Onboard preamp system
- Bass, Middle, Treble, Presence controls
- Phase invert switch
- Quick and easy control chromatic built-in tuner with LCD display
- Low battery indicator in LCD display
- Automatic power off function
- Pre-wired output jack can also use endpin jack
- Top of preamp 9V Battery Compartment
- Outer dimensions: 71mm x 89.7mm x 63.7mm (2.80" x 3.54" x 2.51")
- Cutout dimensions: 64mm x 74mm (2.52" x 2.92")

SPECIFICATION:

- System Weight: 110 grams
- Output Level: -10dB
- Output Impedance: 1k Ohms
- Battery Type: Single 9V battery
- Battery Life: Approximately 300 hours~





USER'S GUIDE

ONBOARD ACOUSTIC GUITAR SYSTEM



INSTALLATION GUIDE

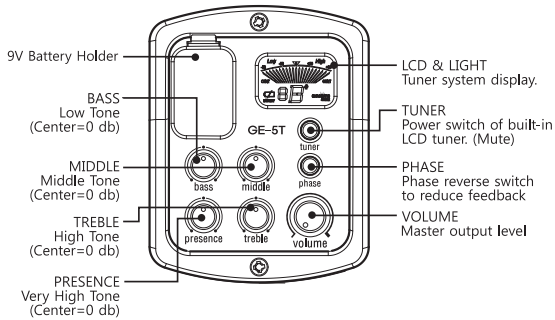
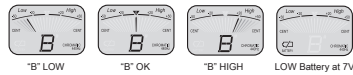
ONBOARD ACOUSTIC GUITAR SYSTEM



* Installation of this product is a simple procedure, but we recommend this job only if you are an experienced repair technician. Installer assumes all responsibility for damage to product or guitar components.

CONTROLS

LCD indicator for GE5T



SPECIFICATIONS

Input Impedance: 1M Ohm

Output Impedance: 1k Ohm
(Power is OFF when unplugging output jack)
Output Level: 6V peak to peak

Current Drain: Less than 1mA
Power Supply: 9V Alkaline Battery
Battery Life:

- TUNER: approximately 25 hours
- PREAMP: approximately 300 hours

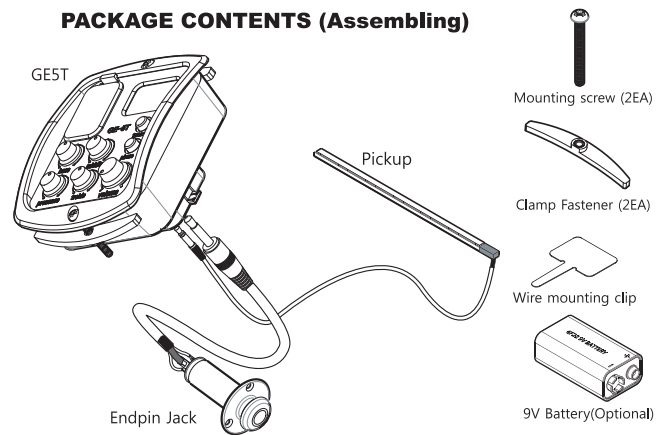
Bass Control Range: ± 10dB @100Hz
Middle Control Range: ± 10dB @800Hz
Treble Control Range: ± 10dB @2kHz
Presence Control Range: ± 10dB @4kHz

The specifications may change without notice.



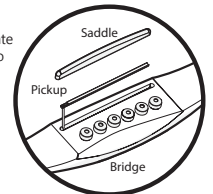
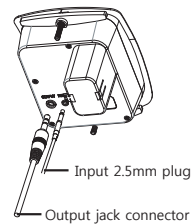
Seongsook 2185-2, Ilsan, Gyeonggi, KOREA (410-570)
Tel: +82-70-4406-3799
Fax: +82-31-976-3799
www.gentronics.co.kr

PACKAGE CONTENTS (Assembling)

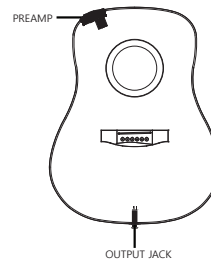


INSTALLATION

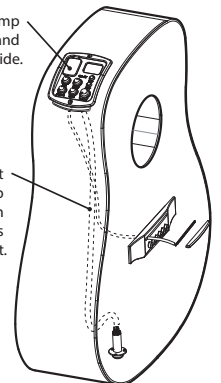
Before you get started, it is imperative that the bottom of your saddle slot is flat and uniform. If it is cut unevenly or warped, this may cause a string volume balance problem. It will be necessary to "shave down" your saddle to compensate for the height of pickup. Correctly position each ceramic piezo by lining up the pickup with the string peg holes.



Cut out the cavity for the preamp with template of next page and mount GE5T on the body side.



Correctly connect the wires from preamp to output jack. Attach the Wire mounting clips to the side of the instrument.



Seongsook 2185-2, Ilsan, Gyeonggi, KOREA (410-570)
Tel: +82-70-4406-3799
Fax: +82-31-976-3799
www.gentronics.co.kr

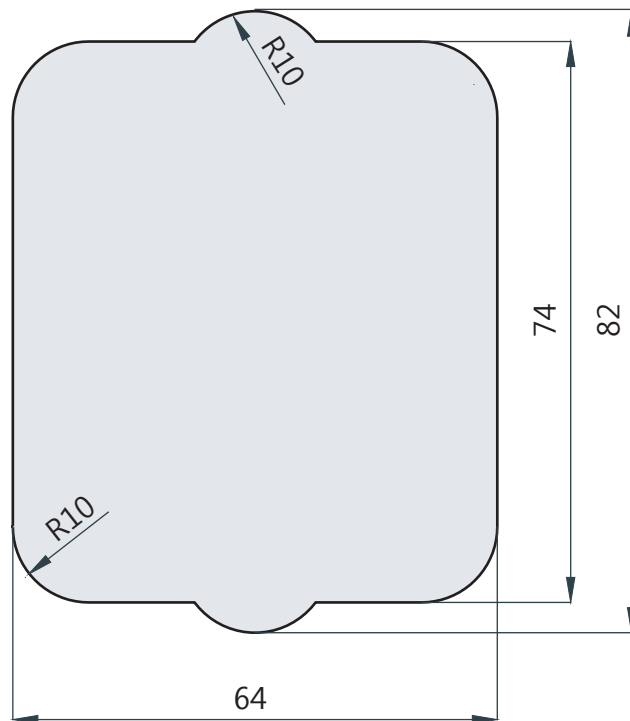


Cutout Template

for GE5T

1. Choose the location on the instrument's waist with preamp side curve radius.
2. Check the measure of printed template and cut out the cavity for the preamp with template.

- * be cautious not to get injured from installation.
- * Installer assumes all responsibility for damage to product or guitar components.
- * If the instrument has solid wood sides, we recommend that you glue plywood patches in the areas inside the guitar where the screw holes will be drilled.



SCALE 1:1